

LOCATION MAP

SITE DIRECTIONS

CONTENTS:

Page 1 Cover Sheet

Page 2 Site Layout Plan & Zone Detail

Page 3 Hydraulic Profile & Aeration details

Page 4 Disinfection Details

I hereby certify that the evaluations and designs contained herein (refer to subdivision, lot, etc.) were conducted in accordance with the "regulations" Furthermore, I certify that the evaluations and designs comply with the minimum requirements of the regulations.

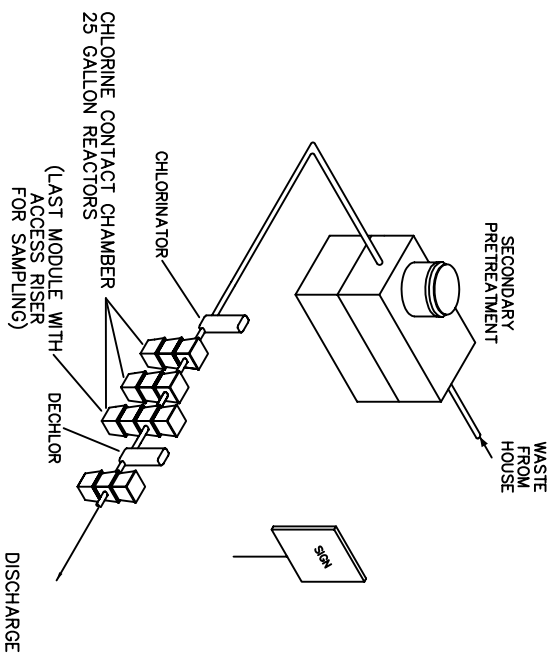
I recommend a _____ ds _____

Licensed PE: _____ Date _____

See!

SCOPE: HOUSEHOLD SEWAGE WILL FLOW THROUGH A SECONDARY OR BETTER TREATMENT UNIT TO A DISINFECTION UNIT (A CHLORINATOR). FOLLOWING CHLORINATION, THE EFFLUENT WILL FLOW BY GRAVITY THROUGH A SERIES OF CHLORINE CONTACT CHAMBERS. THE FINAL CONTACT CHAMBER WILL ALSO ACT AS A SAMPLE MODULE FROM THE CONTACT CHAMBERS THE EFFLUENT WILL FLOW BY GRAVITY TO A DISCHARGE POINT. DECHLOR AND REAERATION MAY BE SPECIFIED.

_____ has designed the drip dispersal system for the specific site in accordance with findings recommendations with the site evaluator/soils evaluator, who is the consultant for the owner. American's pre-engineered system has been selected for the site by the owners representative. American only certifies the system mechanical application for this site and makes no representation for soil suitability or other site engineering code requirements.



DISINFECTION

AMERICAN MANUFACTURING CO.
P.O. BOX 97 ELKWOOD, VA 22718 (540) 825-1064

PROJECT NAME :	DRAFTER:	DATE:
JOB NAME	CHECKED:	03/23/06
	APPROVED:	DATE:
	TITLE :	

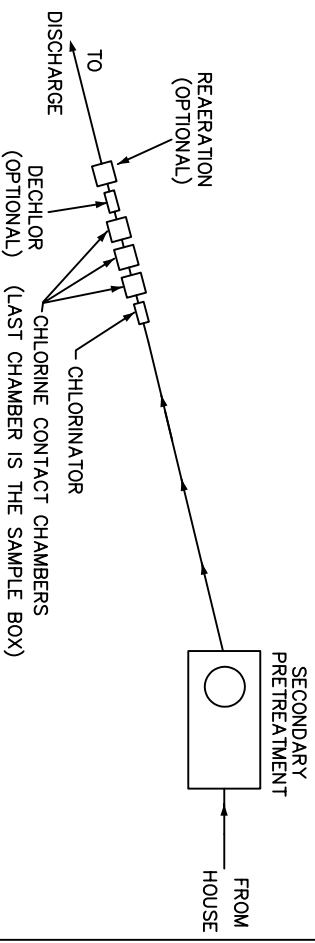
COUNTY : _____ COUNTY, STATE _____ COVER SHEET

FILE: s:\Residential_Plans\00DISINFECTION.dwg SCALE : NTS SHEET: 1 OF 4

SITE PLAN (SYSTEM LAYOUT SKETCH)

SCALE: ~1" = ___'

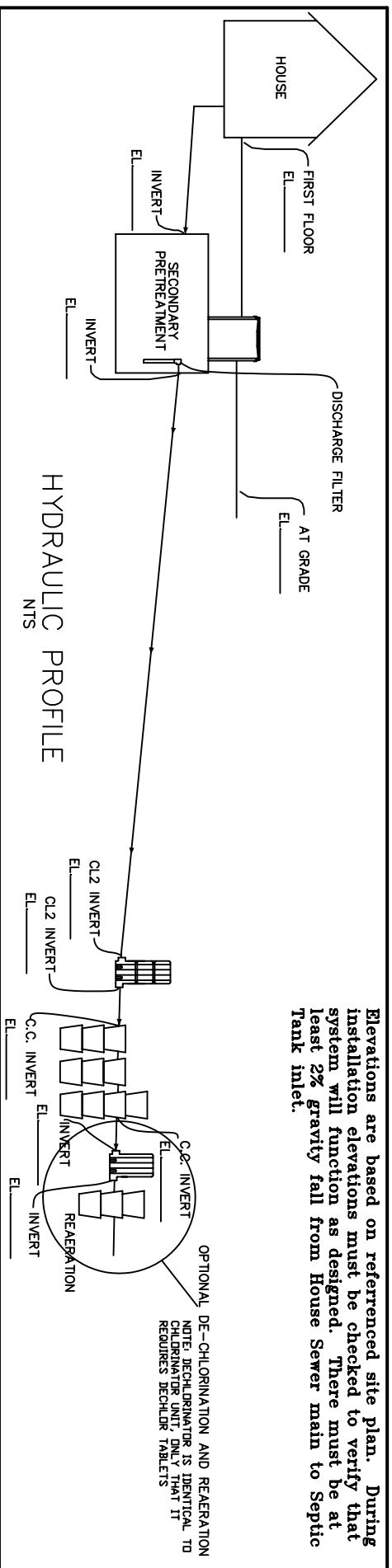
TANK information:
 _____ GALLON SEPTIC TANK, _____ GALLON
 SANDFILTER DOSE TANK _____ SQ. FT. SANDFILTER
 TANK. INSTALL TANKS TO AVOID SWALES OR LOW
 LYING AREAS!



AMERICAN MANUFACTURING CO.

P.O. BOX 97 ELKWOOD, VA 22718 (540) 825-1064

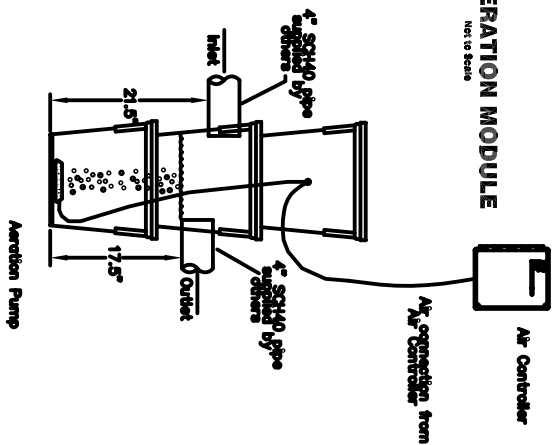
PROJECT NAME :	DRAWN:	DATE: 03/23/06
JOB NAME	CHECKED:	DATE
COUNTY :	APPROVED:	DATE
COUNTY, STATE	TITLE :	
	SITE LAYOUT PLAN & ZONE DETAILS	



Elevations are based on referenced site plan. During installation elevations must be checked to verify that system will function as designed. There must be at least 2% gravity fall from House Sewer main to Septic Tank inlet.

AMERICAN MANUFACTURING CO., INC.
 1-800-345-3132 • www.americanmfg.com

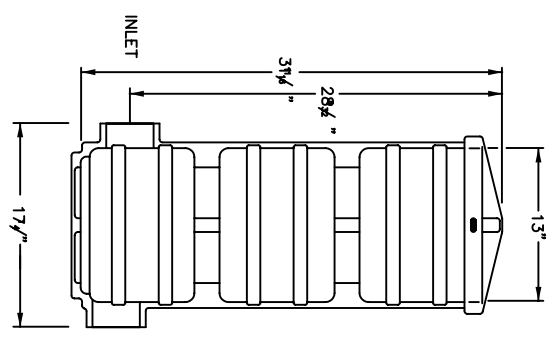
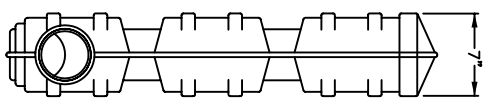
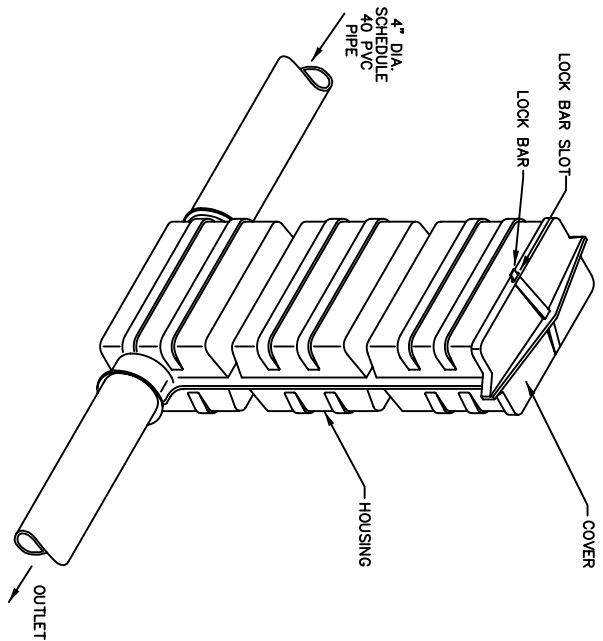
OPTION AERATION MODULE
Not to Scale



SPECIFICATION

This reeration module provides a 13 gallon reservoir for influent water to mix with and reerate with air induction from a fish tank aerator readily replaceable from most local fish/pet stores. Dechlorination will remove free oxygen from the effluent and this device will reerate for residential applications.

AMERICAN MANUFACTURING CO.	
P.O. BOX 97 ELKWOOD, VA 22718 (540) 825-1064	
PROJECT NAME :	DRAWER: DATE: 03/23/08
JOB NAME	CHECKED: DATE:
COUNTY :	APPROVED: DATE:
COUNTY, STATE	TITLE :
HYDRAULIC PROFILE & DETAILS	
FILE: S:\Residential_Plans\0805INFECTION.dwg SCALE: NTS	SHEET: 3 OF 4



DESCRIPTION

Model 100 JET-CHLOR Tablet Chlorinator is a complete chlorine dispensing system. The Model 100 has a 4 1/2" diameter inlet and outlet. It is designed to handle the flow of treated effluent from wastewater treatment plants with design flows up to 1500 gallons per day. It can also chlorinate the effluent from septic tanks when installed after a filter bed.

The JET-CHLOR Tablet Chlorinator has no moving or electrical parts. It uses JET-CHLOR Disinfecting Tablets - not powders or gases. The JET Chlorinator works by gravity flow alone - chlorine dosage automatically adjusts with increases and decreases in effluent flow.

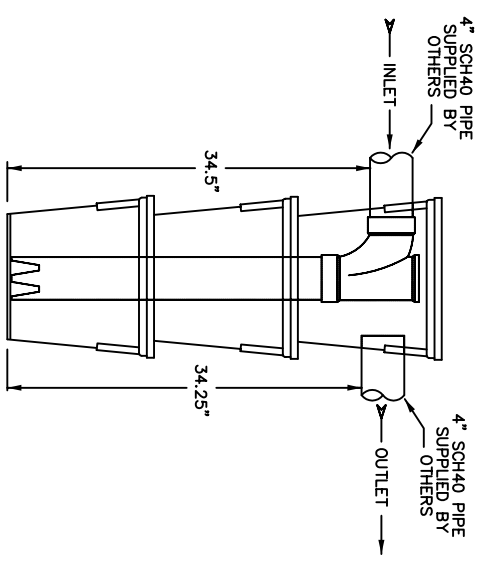
HOW THE CHLORINATOR WORKS

The JET-CHLOR Tablet Chlorinator consists of a housing and two tablet feed tubes. The chlorinator is installed directly in the ground on the plant's discharge line so the plant discharge flows through it. Feed tubes on chlorine contact chamber control the direction of the flow within the chlorinator.

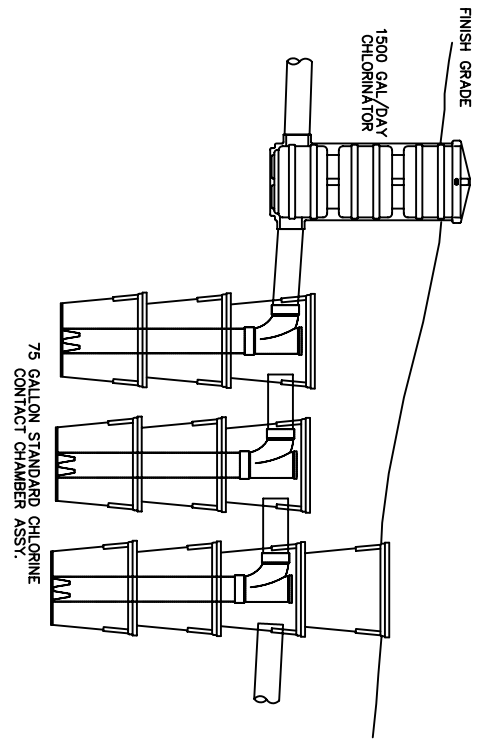
Slow-dissolving JET-CHLOR Tablets at the bottom of the feed tubes are immersed in the effluent. They dissolve evenly, slowly releasing active chlorine. The rate at which the tablets dissolve is regulated automatically by the liquid height and by varying the amount of tablets in contact with the effluent.

When the flow of effluent increases, the liquid level in the housing rises, covering more tablets and releasing more chlorine. When the flow decreases, the liquid level goes down. As a result, fewer chlorine tablets are immersed and less chlorine is released. In this way, the rate at which the chlorine tablets dissolve is continuously adjusted to the effluent flow.

CHLORINATOR UNIT DETAIL
NTS



CHLORINE CONTACT CHAMBER
25 GALLON MODULE
NTS



DISINFECTON INSTALLATION DETAIL
NTS

<p>AMERICAN MANUFACTURING CO. P.O. BOX 97 ELKWOOD, VA 22716 (540) 825-1064</p>		PROJECT NAME :	DATE: 03/23/06
		DRAWN:	DATE:
<p>JOB NAME</p>		CHECKED:	DATE:
		APPROVED:	DATE:
<p>COUNTY : COUNTY, STATE</p>		TITLE :	DISINFECTON DETAILS
<p>FILE: S:\Residential_Plans\08DISINFECTON.dwg</p>		SCALE : NTS	SHEET: 4 OF 4