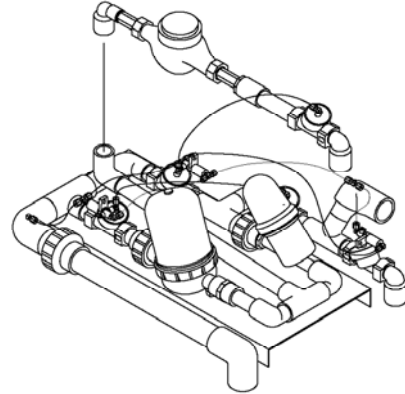
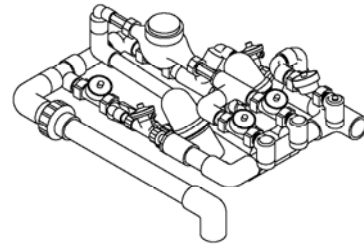


## AMERICAN MANUFACTURING COMPANY, INC. FILTRATION HEAD LOSS CHARTS

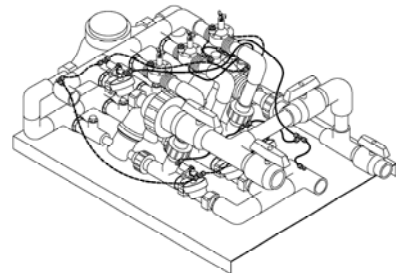
<b>FILTRATION UNIT HEAD LOSS CHART FLOW vs HEAD LOSS</b>			
FLOW IN GPM	TOTAL LOSS IN TDH 25 gpm UNIT	TOTAL LOSS IN TDH 15 gpm UNIT	TOTAL LOSS IN TDH 12 gpm UNIT
2	-	-	1
3	-	-	1
4	-	-	2
5	2	4	4
6	2	4	5
7	3	5	6
8	4	6	9
9	5	7	12
10	6	8	15
11	7	9	17
12	7	11	18
13	8	12	
14	9	13	
15	10	16	
16	12	19	
17	14	22	
18	16	24	
19	18	27	
20	20	28	
21	21		
22	22		
23	23		
24	24		
25	25		



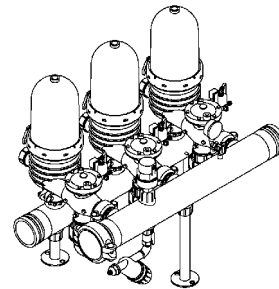
QM 12



ASD 15



ASD 25



LARGE FLOW

**FILTRATION UNIT HEAD LOSSES:**

The head (pressure) loss for all the valves, filters, fittings, flow meter, etc. for the pre assembled filter units have been calculated and are found in Filtration Unit Head loss Chart above. The 1,2 & 3 filter 12 gpm, 15 gpm and 25 gpm max design flow (3/4" filters) values are included.

**LARGE FLOW**

**FILTRATION UNIT HEAD LOSSES:**

The head (pressure) loss for all large flow units have been tested. Use 5 psi head loss for all Large Flow units.