

# LAGOON AERATION EVOLVED

**LASAIRE HIGH EFFICIENCY  
DIFFUSED AERATION SYSTEM**

**NO GAS CLEANING  
NO BOATS-NO WADERS  
TOTALLY ACCESSIBLE  
FROM DRY LAND**

- \*Purge & Clean**
- \*Install Wet or Dry**
- \*Operate & Maintain**
- \*Remove & Reinstall For  
Sludge Removal**

**Nothing Anchored Underwater  
Nothing Floating on The Water**

**Upgrade, Convert or  
Replace Existing Systems**

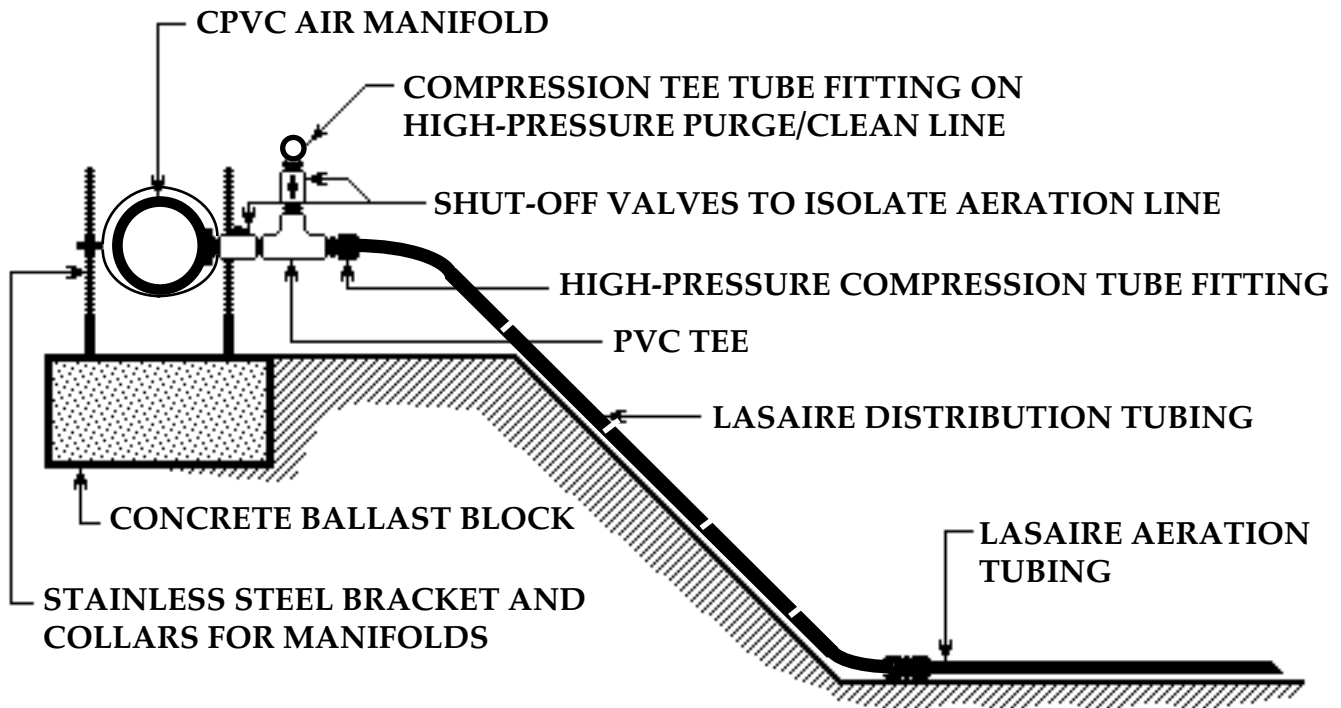
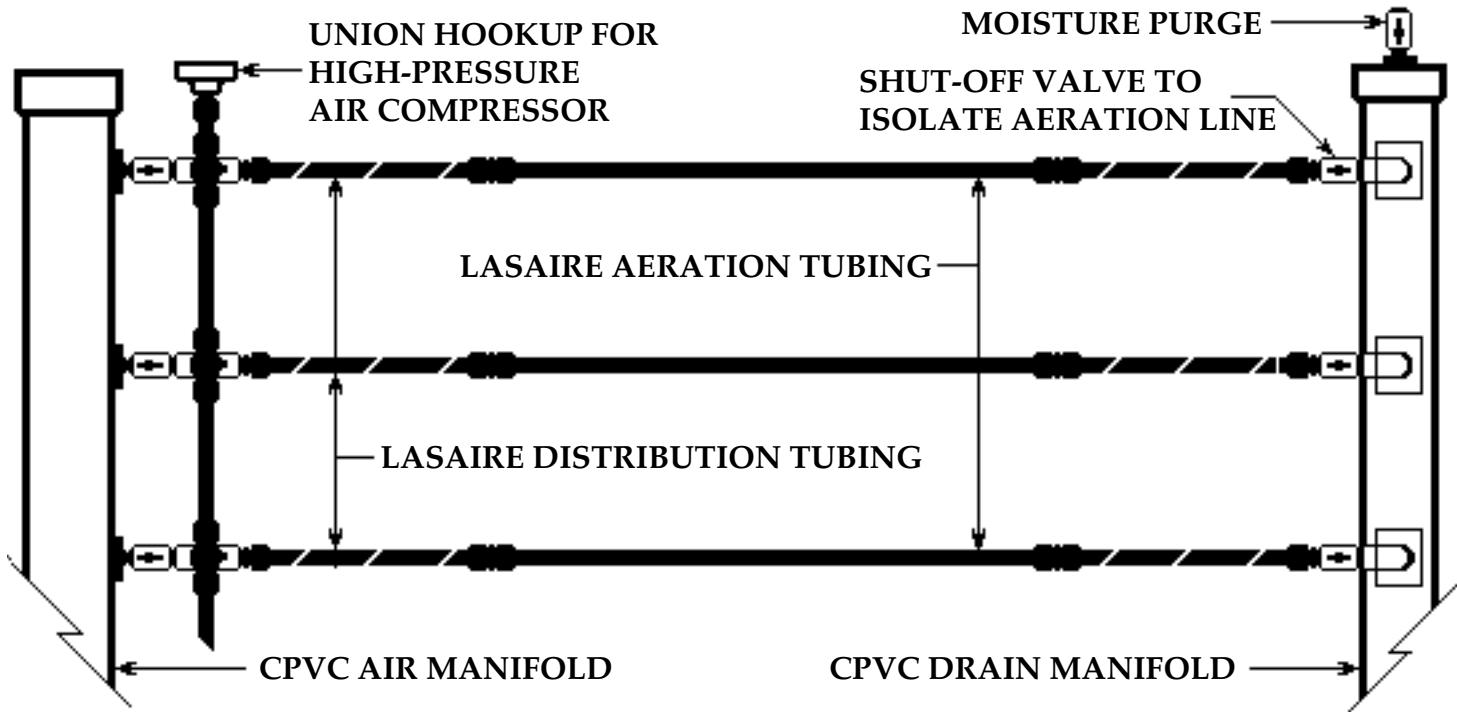


P.O. Box 97  
Elkwood, VA 22718  
ph: 800-345-3132  
fx: 540-825-1785  
[www.americanonsite.com](http://www.americanonsite.com)

**AMERICAN**  
*Manufacturing Company, Inc.*

Products ~ Systems ~ Controls





**TYPICAL LAYOUT OF  
LASAIRE AERATION SYSTEM  
WITH HIGH-PRESSURE AIR PURGE/CLEANING SYSTEM**

# AIR PURGE/CLEAN SYSTEM DETAILS



**Typical  
Aeration Line  
Valving Arrangement  
for  
Air & Drain Manifolds**

**Typical  
High-Pressure  
Air Compressor  
Connection for  
Air & Drain Manifolds**



**Moisture  
Purge  
Connection for  
Air & Drain  
Manifolds**



**ELIMINATES INTERNAL CLOGGING  
ELIMINATES WATERLOGGING  
PROVIDES FAIL-SAFE PURGE & CLEAN  
PROVIDES TOTAL ACCESSIBILITY FROM DRY LAND**

## Lasaire® Aeration Systems

For three decades Lasaire Aeration Systems has provided low energy diffused aeration in facultative lagoon treatment. Lasaire now offers a low maintenance design where all service is performed from dry land.

Lasaire features:

- **Highly efficient tube aeration**  
*SOTE of  $\pm 22.5\%$  @ 10' side water depth*
- **Even energy distribution**  
*Total oxygen dispersion mixing*
- **No gas cleaning**  
*Air purge eliminates HCl gas handling*
- **Low maintenance**  
*Maintenance and cleaning performed from dry land with system in service*
- **Flexibility & Storage**  
*System accommodates varying liquid levels*
- **Aesthetically pleasing**  
*No cables, floats, electrical wires*
- **Quality control**  
*Factory technicians install the Lasaire system in empty or full lagoons without dewatering*
- **Stable fixed orifices**  
*Precision drilled holes ensure consistent performance*
- **Safety in operation and maintenance**  
*No boats, cranes, chemicals, or electricity near the water*
- **Simple upgrades and retrofits**  
*Replace old, less efficient aeration systems*

Lagoon treatment is simple, stable, and minimizes sludge handling. For more information on how Lasaire can complement your lagoon design, contact:

## Lasaire® Aeration Systems



P.O. Box 97  
Elkwood, VA 22718  
ph: 800-345-3132  
fx: 540-825-1785  
[www.americanonsite.com](http://www.americanonsite.com)

**AMERICAN**  
Manufacturing Company, Inc.

Products ~ Systems ~ Controls



*Aesthetically pleasing*



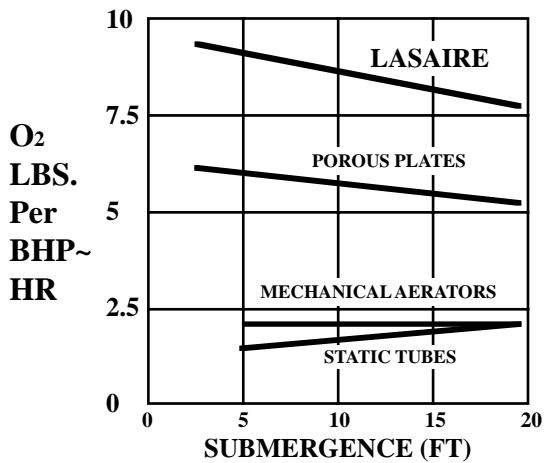
*High efficiency diffused aeration*



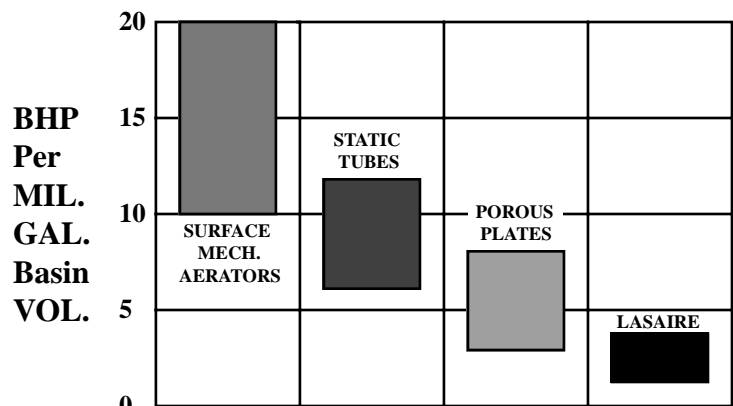
*Even energy distribution*



*Gas-free cleaning*



**OXYGEN TRANSFER COMPARISON**



**AERATION EQUIPMENT  
OXYGEN DISPERSION MIXING  
HORSEPOWER COMPARISON**

**GB MARKETECH LLC**

9708 N. Range Line Road

Mequon, WI 53092

262-227-8344 or Fax 262-782-1837

Email To [gbmarketech@wi.rr.com](mailto:gbmarketech@wi.rr.com)

On the web @ [LASAIRE.COM](http://LASAIRE.COM)

**REPRESENTED BY:**