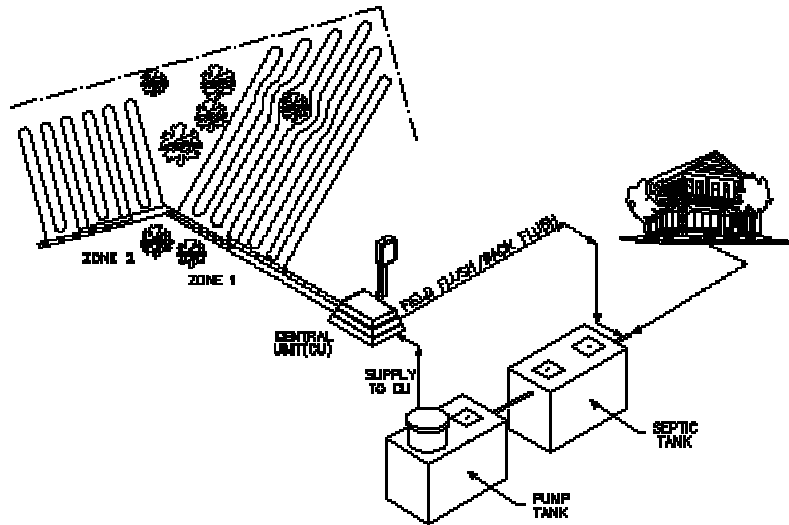


A NEW! kind of DISPOSAL SYSTEM

"Perc • Rite"®

By American Manufacturing Company, Inc.

ALTERNATIVE DRAINFIELD



~ECOLOGICAL ~ECONOMICAL ~EASY TO INSTALL ~OFF THE SHELF

SIMPLY AMAZING!

THE ONLY DRIP IRRIGATION SYSTEM FOR SEPTIC EFFLUENT
NO OTHER TREATMENT REQUIRED! PATENT NO. 5,200,065

OPERATION

The system control panel is equipped with four float switches and controls the timed doses to be discharged. The water level must be high enough to overcome the "Redundant Off" (Bottom) float in order for the pump to run. When the water level rises high enough to overcome the "Dose Enable" (second) float and the timer is in a dose enable mode the cycle will initiate. The pump will activate and automatically back flush the disc filters, and then dose the lead zone. The pump will continue to run for the length of time as set on the pump run timer to provide a complete dose. The system will remain off until the preprogrammed off timer enters a new cycle enable mode, at which time the control will activate another cycle and dose the new lead zone (as long as the "Dose Enable" float is still up). This process will continue until the water level drops below the "Dose Enable" float and the pump run timer has timed out. Each zone will automatically receive a field flush each 50 cycles to clean the drip tubing.

The control system is equipped with a peak enable circuit to manage peak flows and excess water use event. If the water level rises enough to overcome the "peak enable" (third) float and the peak enable selector switch is on, the system will be cycled at the peak rate. The system will continue to cycle at an increased rate until the peak enable float is deactivated at which time the system will resume the normal dosing cycle.

In the event the water level continues to rise enough to overcome the "High Level" (fourth) float, the audio/visual alarm will be activated until silenced by pressing the Test-Normal-Silence switch to the silence position. The alarm circuit must be reset when the "High Level" float returns to its normal position.

DRIP SYSTEM PACKAGE SPECIFICATION

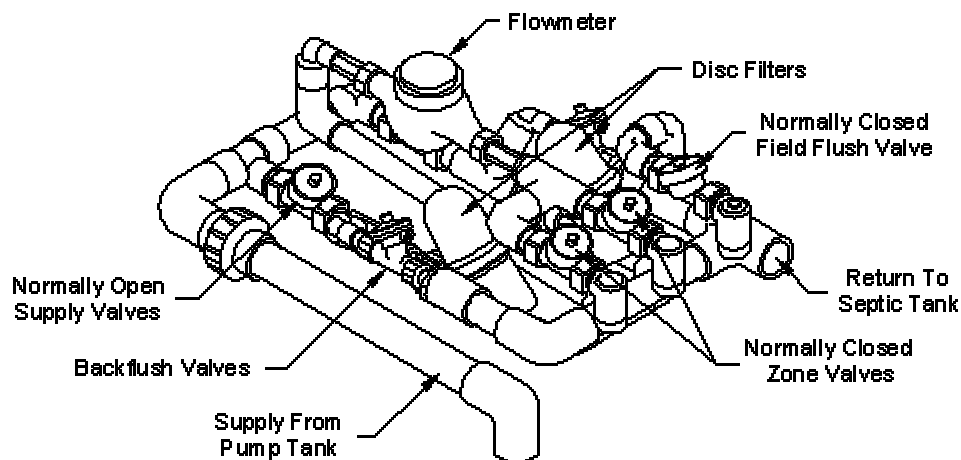
CONTROL

The control has a Nema 4X rated enclosure with hinged inner door, removable aluminum back plate for component mounting, IEC rated pump contactor, adjustable pump run timer, high level peak enable circuit, Hand-Off-Auto toggle switches for all operations, pump run light, indicator lights, separate control and pump breakers, control fuse, and finger-safe terminal blocks with a neatly bundled wiring harness. The Control unit is U.L. APPROVED AND LABELED. The microprocessor has manual override capability to completely operate the system while bypassing the microprocessor.



TUBING and FIELD FITTINGS

Netafim Ram tubing in 1,000 feet rolls with specialty insert fittings and PVC flex tubing is provided ready to glue to schedule 40 PVC supply & return pipes.

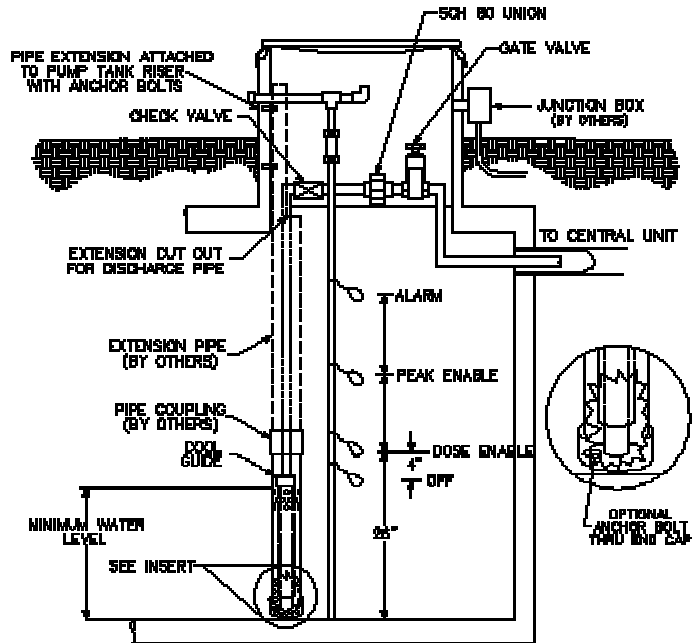


HYDRAULIC UNIT (HU) w/INSULATED ENCLOSURE

The hydraulic unit is mounted on an aluminum skid, heated, and enclosed in an at grade polyethylene insulated valve box with bolt down cover. The Control valves and heater are pre-wired with a 15' cord suitable for connection to the control terminal strips.

SUBMERSIBLE PUMP

The pump is a 2 hp, 230-volt, 1 phase septic effluent pump with 1/2" solids handling capacity. Available also is a 1/2 hp, 115 volt, 1 phase screened effluent pump with quick disconnect at reduced cost.



PUMP DISCHARGE KIT & FLOAT ROD W/FLOATS

Included in package is a shut off valve, quick disconnect, check valve, and adapters, no weep hole should be placed in pipe. Vertical float installation is recommended as shown.

ACCESS HATCH AND RISER

Lightweight riser and lid is an available option.

Copyright © , American Manufacturing Company, Inc., 2000