

LOCATION MAP

SITE DIRECTIONS

CONTENTS:

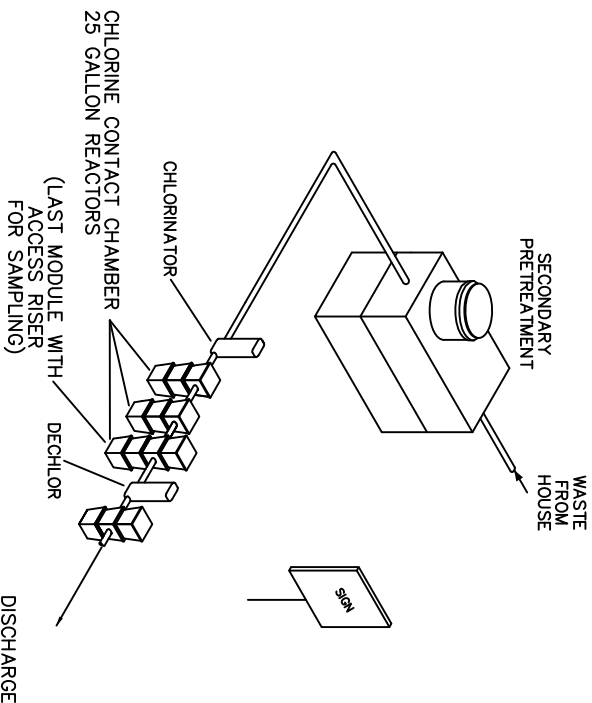
- Page 1 Cover Sheet
- Page 2 Site Layout Plan & Zone Detail
- Page 3 Hydraulic Profile & Aeration details
- Page 4 Disinfection Details

I hereby certify that the evaluations and designs contained herein (refer to subdivision, job, etc.) were conducted in accordance with the "Regulations". Furthermore, I certify that the evaluations and designs comply with the minimum requirements of the Regulations.

I recommend a _____ be _____
 Licensed PE: _____ Date _____
 Seal

SCOPE: HOUSEHOLD SEWAGE WILL FLOW THROUGH A SECONDARY OR BETTER TREATMENT UNIT TO A DISINFECTION UNIT (A CHLORINATOR), FOLLOWING CHLORINATION, THE EFFLUENT WILL FLOW BY GRAVITY THROUGH A SERIES OF CHLORINE CONTACT CHAMBERS. THE FINAL CONTACT CHAMBER WILL ALSO ACT AS A SAMPLE MODULE FROM THE CONTACT CHAMBERS THE EFFLUENT WILL FLOW BY GRAVITY TO A DISCHARGE POINT. DECHLOR AND REAERATION MAY BE SPECIFIED.

_____ has designed the drip dispersal system for the specific site in accordance with findings recommendations with the site evaluator/soils evaluator, who is the consultant for the owner. American's pre-engineered system has been selected for the site by the owners representative. American only certifies the system mechanical application for this site and makes no representation for soil suitability or other site engineering code requirements.



DISINFECTION

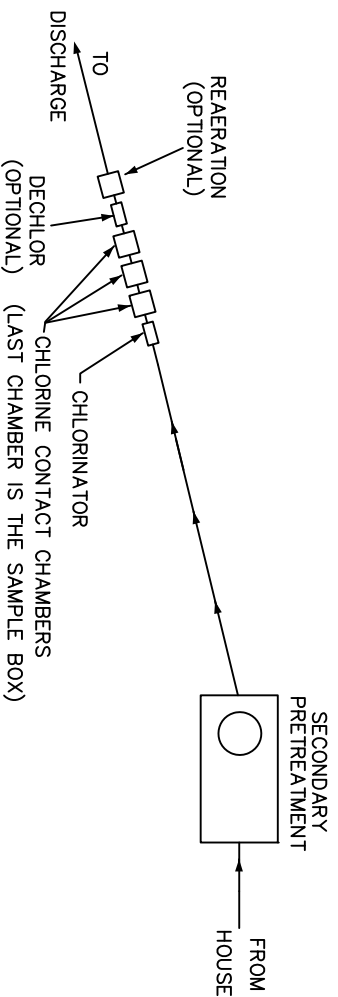
AMERICAN MANUFACTURING CO.

PROJECT NAME :	DRAFTER:	DATE:
JOB NAME	CHECKED:	DATE:
	APPROVED:	DATE:
	TITLE :	
COUNTY :	COVER SHEET	
COUNTY, STATE		

SITE PLAN (SYSTEM LAYOUT SKETCH)

SCALE: 1/4" = 1'

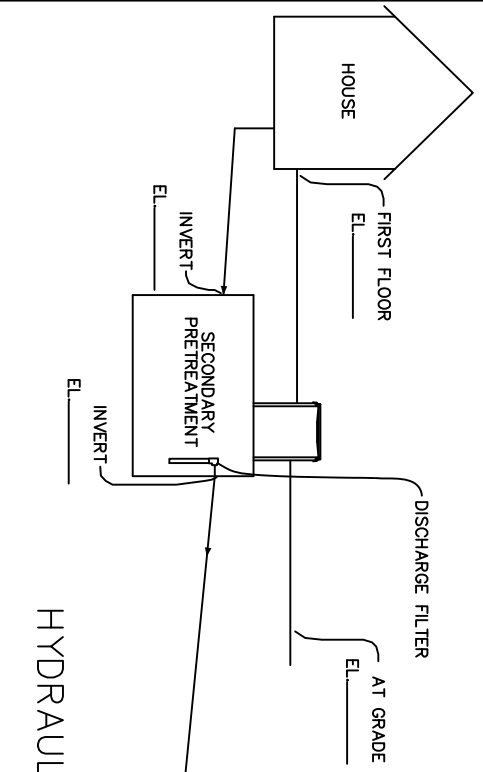
TANK Information:
GALLON SEPTIC TANK, _____ GALLON
SANDFILTER DOSE TANK _____ SQ. FT. SANDFILTER
TANK. INSTALL TANKS TO AVOID SWALES OR LOW
LYING AREAS!



AMERICAN MANUFACTURING CO.

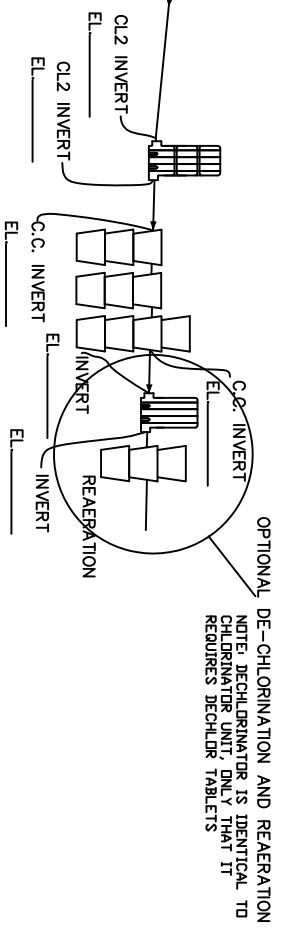
22011 GREENHOUSE RD. ELKWOOD VA 22718. 540-825-7234

PROJECT NAME :	DRAFTER:	DATE:
JOB NAME	CHECKED:	DATE
COUNTY :	APPROVED:	DATE
COUNTY, STATE	TITLE :	
SITE LAYOUT PLAN & ZONE DETAILS		



HYDRAULIC PROFILE
NTS

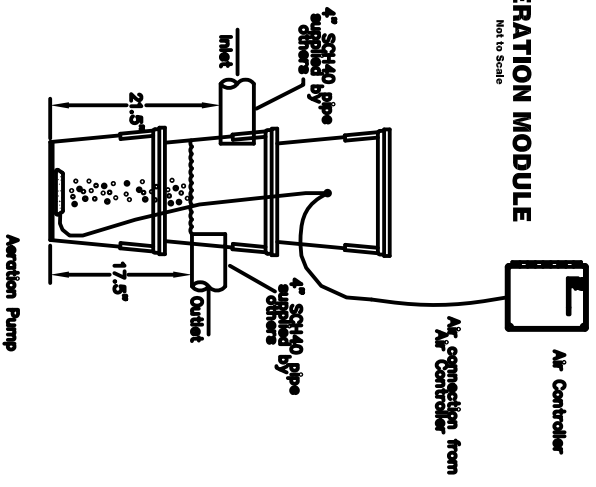
Elevations are based on referenced site plan. During installation elevations must be checked to verify that system will function as designed. There must be at least 2% gravity fall from House Sewer main to Septic Tank inlet.



OPTIONAL DE-CHLORINATION AND REAERATION
NOTE: DECHLORINATOR IS IDENTICAL TO CHLORINATOR UNIT. ONLY THAT IT REQUIRES DECHLOR TABLETS

AMERICAN MANUFACTURING CO., INC.
1-800-345-3132 * www.americonstite.com

OPTION AERATION MODULE
Not to Scale

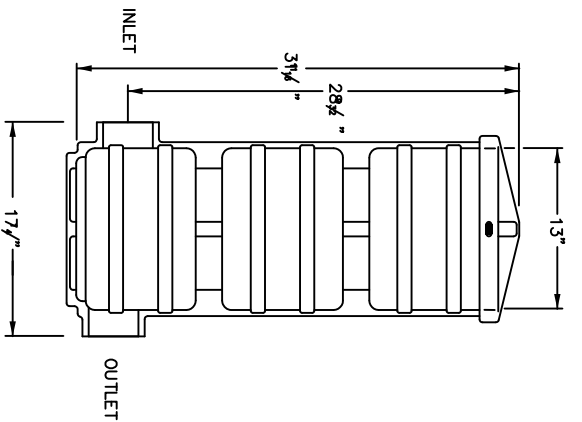
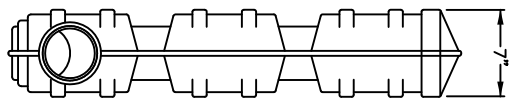
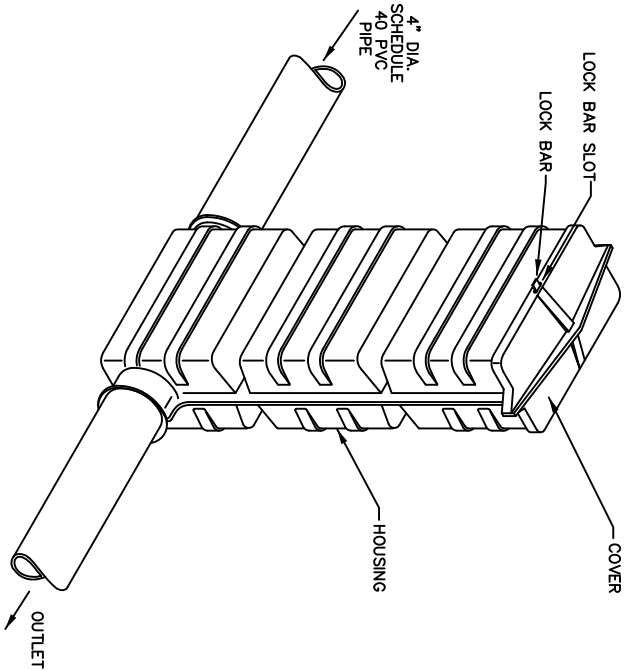


SPECIFICATION

This re-aeration module provides a 13 gallon reservoir for influent water to mix with and re-aerate with air induction from a fish tank aerator readily replaceable from most local fish/pet stores. Dechlorination will remove free oxygen from the effluent and this device will re-aerate for residential applications.

AMERICAN MANUFACTURING CO.
22011 GREENHOUSE RD. ELKWOOD VA 22718 540-825-7234

PROJECT NAME :	DRAFTER:	DATE:
JOB NAME	CHECKED:	DATE:
COUNTY :	APPROVED:	DATE:
COUNTY, STATE	TITLE :	
HYDRAULIC PROFILE & DETAILS		



CHLORINATOR UNIT DETAIL
NTS

DESCRIPTION

Model 100 JET-CHLOR Tablet Chlorinator is a complete, chlorine dispensing system. The Model 100 has a 4 1/2" diameter inlet and outlet. It is designed to handle the flow of treated effluent from wastewater treatment plants with design flows up to 1500 gallons per day. It can also chlorinate the effluent from septic tanks when installed after a filter bed.

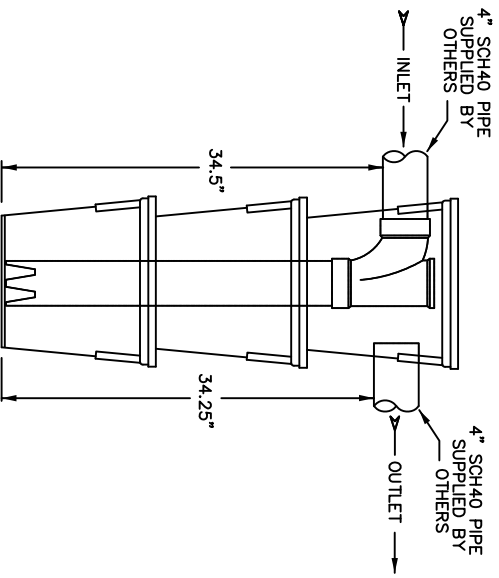
The JET-CHLOR Tablet Chlorinator has no moving or electrical parts. It uses JET-CHLOR Disinfecting Tablets - not powders or gases. The JET Chlorinator works by gravity flow alone - chlorine dosage automatically adjusts with increases and decreases in effluent flow.

HOW THE CHLORINATOR WORKS

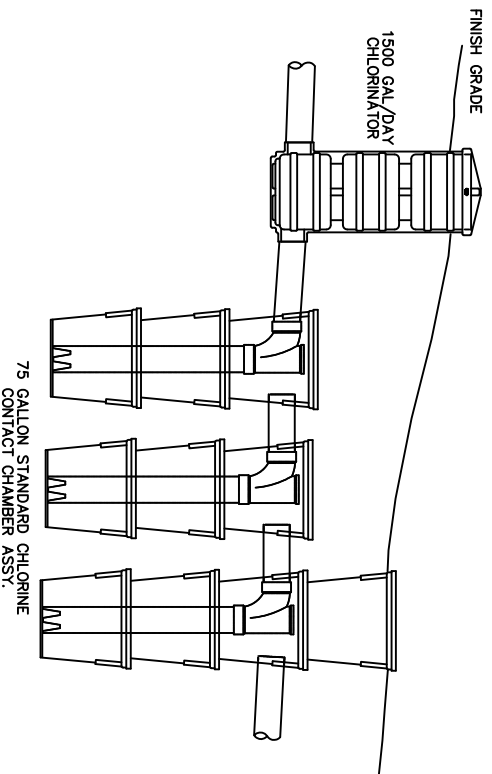
The JET-CHLOR Tablet Chlorinator consists of a housing and two tablet feed tubes. The chlorinator is installed directly in the ground on the plants discharge line so the plant discharge flows through it. Feed tubes and chlorine contact channel control the direction of the flow within the chlorinator.

Slow-dissolving JET-CHLOR Tablets at the bottom of the feed tubes are immersed in the effluent. They dissolve evenly, slowly releasing active chlorine. The rate at which the tablets dissolve is regulated automatically by the liquid height and by varying the amount of tablets in contact with the effluent.

When the flow of effluent increases, the liquid level in the housing rises, covering more tablets and releasing more chlorine. When the flow decreases, the liquid level goes down. As a result, fewer chlorine tablets are immersed and less chlorine is released. In this way, the rate at which the chlorine tablets dissolve is continuously adjusted to the effluent flow.



CHLORINE CONTACT CHAMBER
25 GALLON MODULE
NTS



DISINFECTION INSTALLATION DETAIL
NTS

FILE: S:\Residential_Plans\08DISINFECTION.dwg

SCALE: NTS

SHEET: 4 OF 4

AMERICAN MANUFACTURING CO.
22011 GREENHOUSE RD. ELKWOOD VA 22718; 540-825-7234

PROJECT NAME :	DRAFTER:	DATE:
JOB NAME	CHECKED:	DATE:
	APPROVED:	DATE:
	TITLE :	

COUNTRY :
COUNTY, STATE
DISINFECTION
DETAILS