



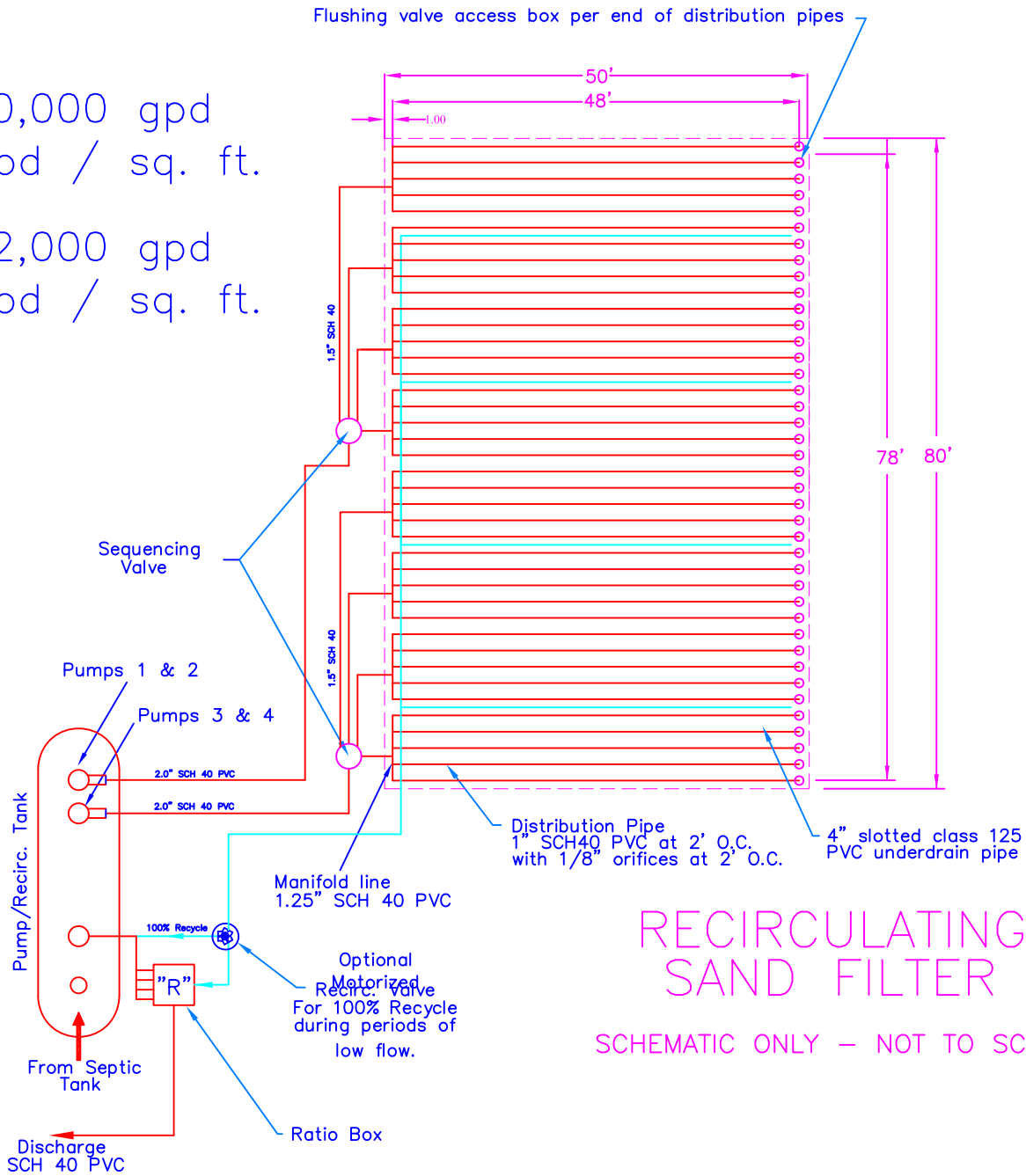
# AMERICAN MANUFACTURING

1-800-345-3132 \* www.americanonsite.com

## RECIRCULATING SAND FILTER

20,000 gpd  
5 gpd / sq. ft.

12,000 gpd  
3 gpd / sq. ft.



## RECIRCULATING SAND FILTER

SCHEMATIC ONLY - NOT TO SCALE

Ratio Box  
 "R" = 4 Port Recycle,  
 1 Port Discharge  
 OR  
 Distribution Box

<b>AMERICAN MANUFACTURING CO.</b>	
220111 GREENHOUSE ROAD, ELKWOOD, VA 22718 PHONE : 540-825-7234	
PROJECT NAME :	DRAFTER DATE
	CHECKED DATE
	APPROVED DATE
COUNTY :	TITLE :
	RSF SCHEMATIC DETAIL SF245
DESIGNED BY:	



# AMERICAN MANUFACTURING

1-800-345-3132 \* www.americanonsite.com

## RECIRCULATING SAND FILTER

Distribution Pipe  
1" SCH40 PVC at 2' O.C.  
with 1/8" orifices at 2' O.C.

Manifold line  
1.25" SCH 40 PVC

SCHEMATIC ONLY - NOT TO SCALE

Sequencing Valve

Pumps 1 & 2

Pumps 3 & 4

2.0" SCH 40 PVC

2.0" SCH 40 PVC

Pump/Recirc. Tank

4.0" GRAVITY

4" slotted class 125  
PVC underdrain pipe

Flush Valve

100%  
Recycle

Optional Motorized Recirc. Valve  
For 100% Recycle during  
periods of low flow.

From Septic Tank

Discharge

SCH 40 PVC

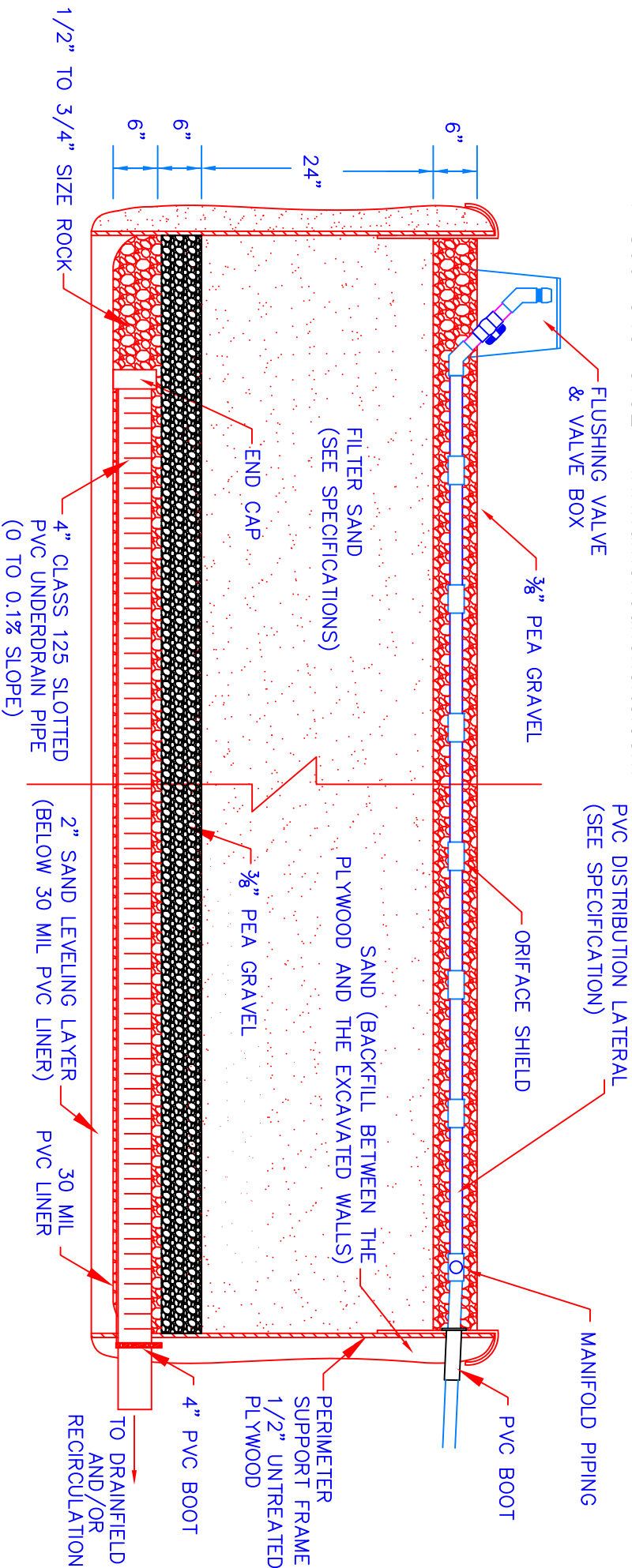
Ratio Box  
4 Port Recycle,  
1 Port Discharge

<b>AMERICAN MANUFACTURING CO.</b>			
22011 GREENHOUSE ROAD, ELKWOOD, VA 22718 PHONE : 540-825-7234			
PROJECT NAME :	DRAFTER	DATE	
	CHECKED	DATE	
	APPROVED	DATE	
COUNTY :	TITLE :	TREATMENT SCHEMATIC SF245	
DESIGNED BY:			



# AMERICAN MANUFACTURING - RECIRCULATING SAND FILTER

1-800-345-3132 \* [www.americanonsite.com](http://www.americanonsite.com)



### MEDIA SPECIFICATIONS:

WASHED, DURABLE, GRANULAR  
 EFFECTIVE SIZE: 1.0 – 3.0 mm  
 UNIFORMITY COEFFICIENT: <4  
 DEPTH: TYPICAL 24 INCHES

### UNDERDRAINS

4" CLASS 125 SLOTTED  
 PVC UNDERDRAIN PIPE  
 SLOPE 0 TO 0.1%  
 BEDDING: WASHED DURABLE GRAVEL OR  
 CRUSHED STONE (1/2" TO 3/4")

### SIDE PROFILE – SCHEMATIC ONLY NOT TO SCALE

NOT TO SCALE

AMERICAN MANUFACTURING CO.

22011 GREENHOUSE ROAD, ELKWOOD VA 22718, 540-825-7234

PROJECT NAME : \_\_\_\_\_ DATE \_\_\_\_\_

CHECKED \_\_\_\_\_ DATE \_\_\_\_\_

APPROVED \_\_\_\_\_ DATE \_\_\_\_\_

COUNTY : \_\_\_\_\_ TITLE : \_\_\_\_\_

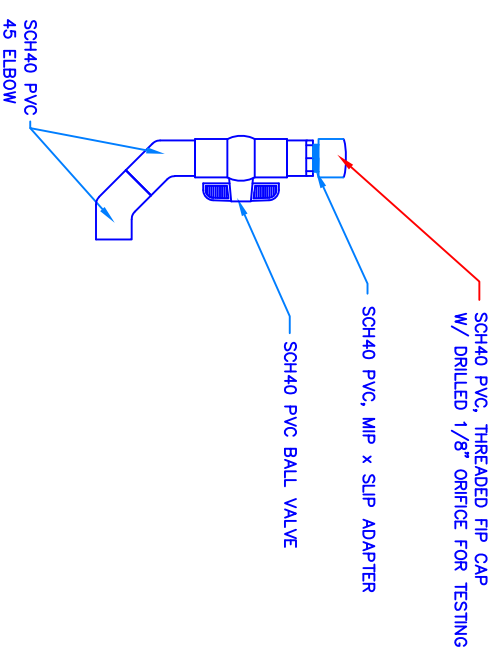
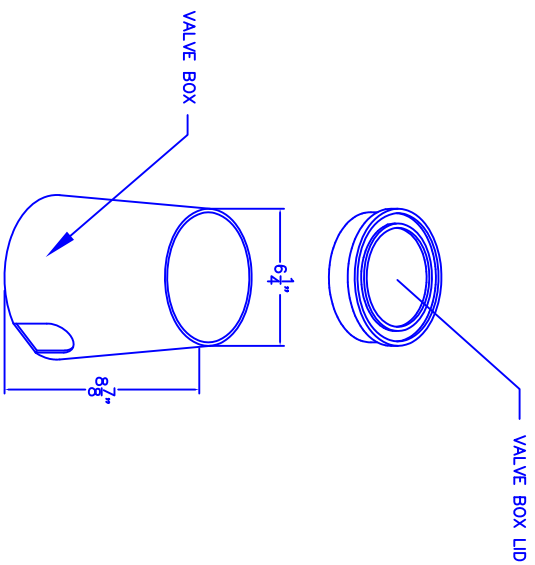
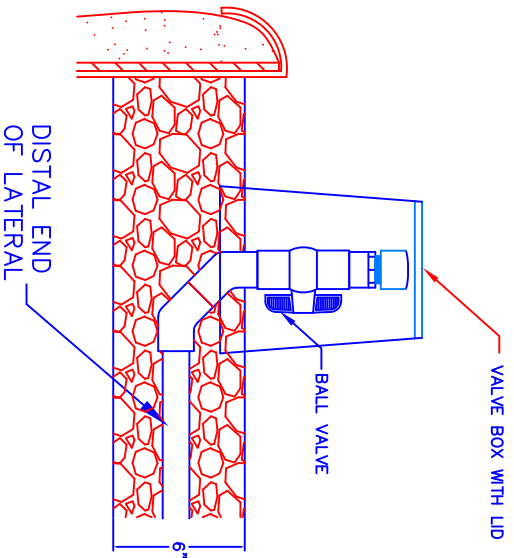
DESIGNED BY: \_\_\_\_\_

SIDE PROFILE  
ASD RSF



# AMERICAN MANUFACTURING - RECIRCULATING SAND FILTER

1-800-345-3132 \* [www.americansonline.com](http://www.americansonline.com)



## FLUSHING VALVE & VALVE BOX DETAIL NOT TO SCALE

**AMERICAN MANUFACTURING CO.**

22011 GREENHOUSE ROAD, ELKWOOD VA 22718, 540-825-7254

PROJECT NAME : \_\_\_\_\_

DRAWN BY: R/W/ DATE: 11/07/08

CHECKED: \_\_\_\_\_ DATE: \_\_\_\_\_

APPROVED: \_\_\_\_\_ DATE: \_\_\_\_\_

TITLE : \_\_\_\_\_

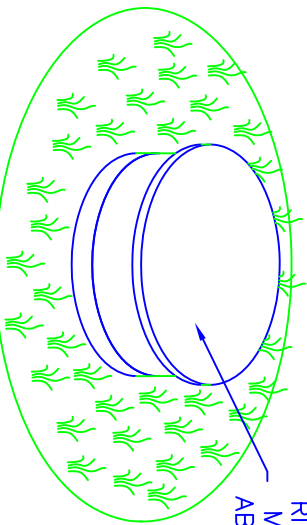
COUNTRY : \_\_\_\_\_

FLUSHING VALVE  
DETAIL



# AMERICAN MANUFACTURING - RECIRCULATING SAND FILTER

1-800-345-3132 \* [www.americanon-site.com](http://www.americanon-site.com)

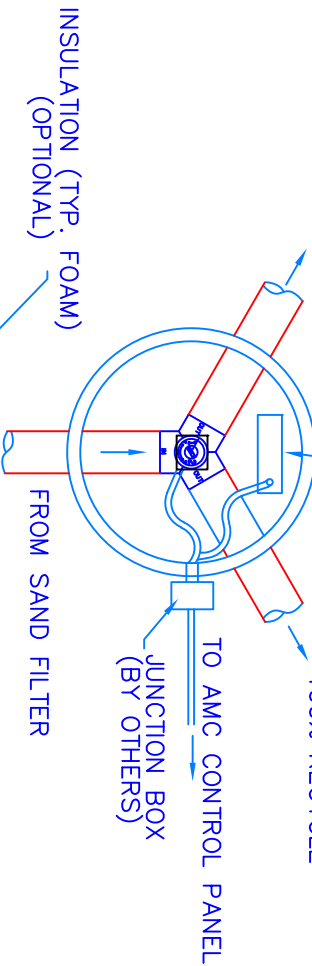


RISER & LID  
MINIMUM 6"  
ABOVE GRADE

NORMAL FLOW PERIOD  
TO DISTRIBUTION BOX

OPTIONAL  
225 W HEATER

LOW FLOW PERIOD  
100% RECYCLE



**MOTORIZED  
BULL RUN VALVE  
NOT TO SCALE**

## Notes: Motorized BRV

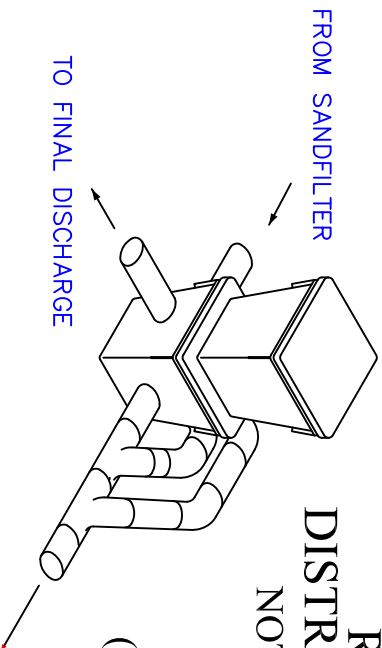
The valve must be installed with the sand filter return line connected to the valve port marked "IN". The valve ports marked "OUT" will be connected to the lines for 100% recycle and the distribution box.

All ports are 4.0" SCH 40 female slip connection. Valve operates on 115v.

Any of the following can be used to connect to the valve:

- 1) SCH40 PVC or ABS pipe.
- 2) Adapter bushing (DWW Hub to Sewer & Drain Spigot).
- 3) ASTM 2729 (SCH30) Coupling
- 4) Bell end of ASTM 2729 (SCH30) pipe.

- THE D-BOX PROVIDES:
1. THE ABILITY TO ADJUST RECIRCULATION RATIO
  2. AT GRADE ACCESS
  3. SAMPLE AND INSPECTION



**RATIO  
DISTRIBUTION BOX  
NOT TO SCALE**

**4:1 SHOWN  
(5:1 AVAILABLE)**

**AMERICAN MANUFACTURING CO.**

22011 GREENHOUSE ROAD, ELKWOOD VA, 22718, 540-825-7234

PROJECT NAME : DATE :

DRAWER : DATE :

CHECKED : DATE :

APPROVED : DATE :

COUNTY : TITLE :

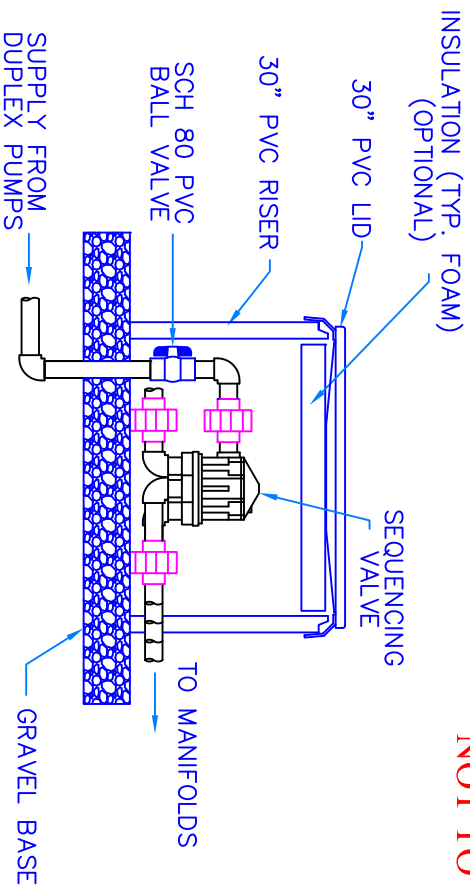
DESIGNED BY: **MOTORIZED BRV & DISTRIBUTION BOX**



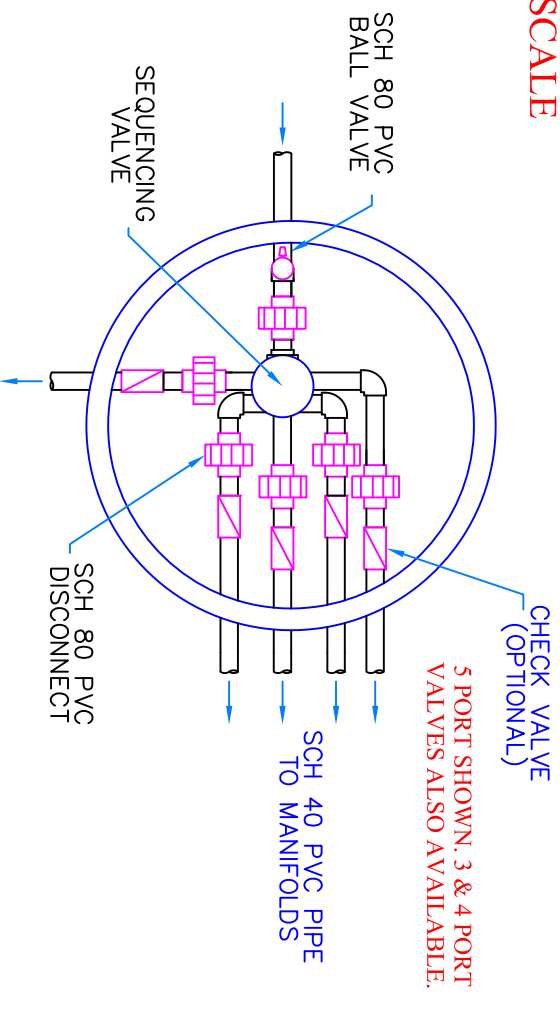
# AMERICAN MANUFACTURING - RECIRCULATING SAND FILTER

1-800-345-3132 \* www.americanonsite.com

## SEQUENCING VALVE NOT TO SCALE



**SIDE VIEW**



**PLAN VIEW**

5 PORT SHOWN, 3 & 4 PORT VALVES ALSO AVAILABLE.

### Notes: Sequencing Valve

The valve must be installed at an elevation above the manifolds and laterals so that each manifold supply pipe drains through the manifold and into the laterals after the pump shuts off. The supply line to the sequencing valve must have fall back to the pump/recirc. tank for drain back.

**AMERICAN MANUFACTURING CO.**

22011 GREENHOUSE ROAD, ELKWOOD VA 22718; 540-825-7234

PROJECT NAME : \_\_\_\_\_ DATE : \_\_\_\_\_

DRAWN BY : \_\_\_\_\_ CHECKED : \_\_\_\_\_ DATE : \_\_\_\_\_

COUNTY : \_\_\_\_\_ TITLE : \_\_\_\_\_

DESIGNED BY : \_\_\_\_\_ SIDE PROFILE ASD RSF

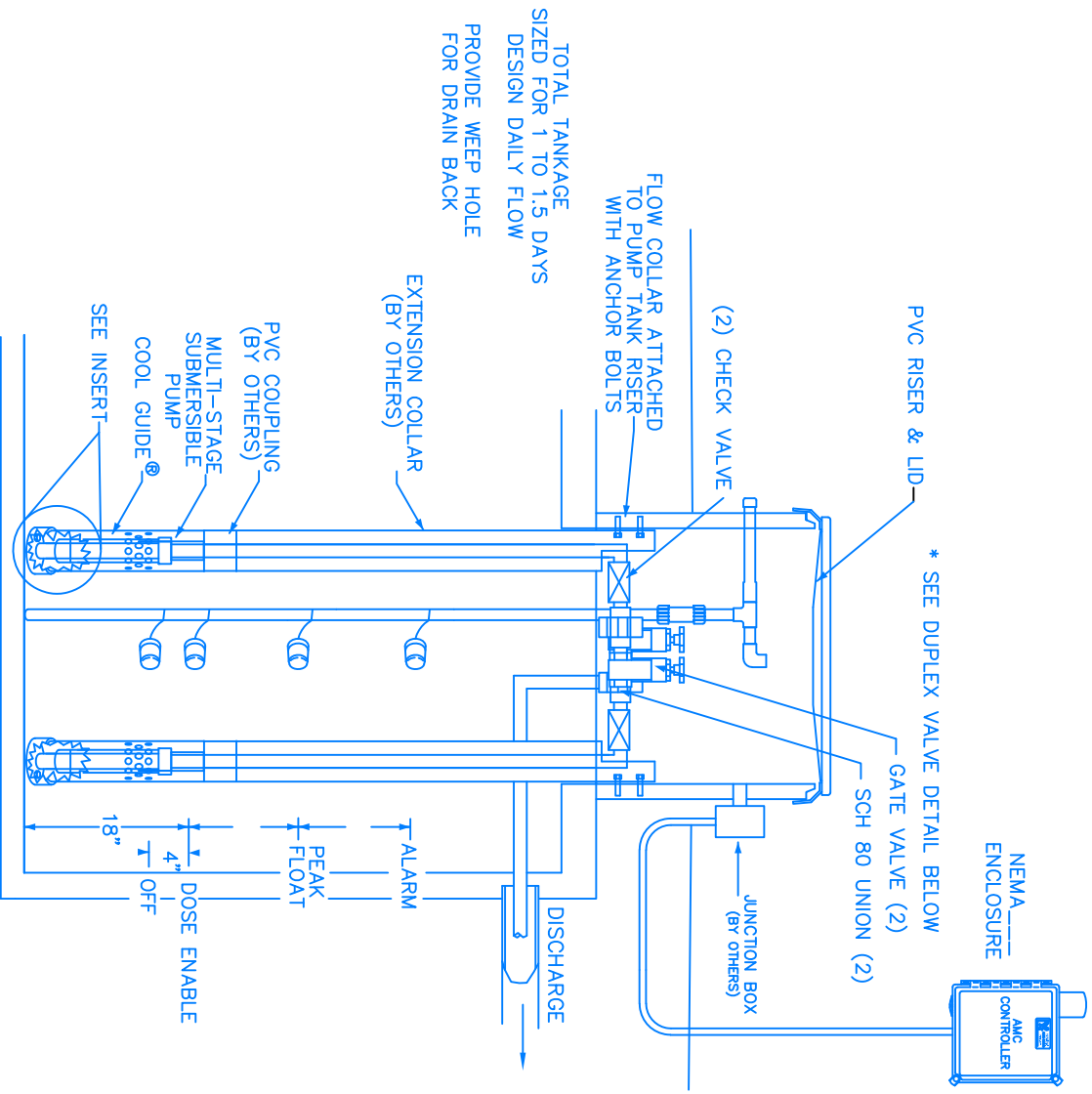
SCALE : NTS SHEET OF



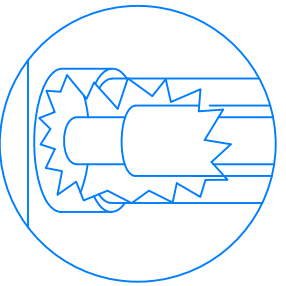
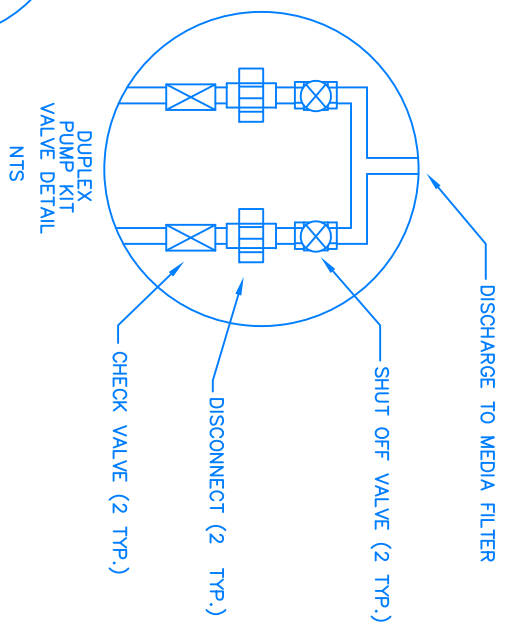


# AMERICAN MANUFACTURING - RECIRCULATING SAND FILTER

1-800-345-3132 \* [www.americanon-site.com](http://www.americanon-site.com)



## STANDARD DUPLEX PUMP SYSTEM (ONE DUPLEX PER SEQ. VALVE) NOT TO SCALE



INSERT

NOTE: COOL GUIDE® & FLOW COLLAR NOT APPLICABLE FOR ALL APPLICATIONS.

<b>AMERICAN MANUFACTURING CO.</b>	
22011 GREENHOUSE ROAD, ELKWOOD VA. 22716, 540-825-7234	
PROJECT NAME :	DATE :
DRAWER :	DATE :
CHECKED :	DATE :
APPROVED :	DATE :
TITLE : PUMP TANK DETAIL - DUPLEX	
COUNTRY :	
DESIGNED BY :	
SCALE :	NTS
SHEET :	OF